

Sept. 26, 1939.

L. H. EUBANK

2,174,363

SUPPORT FOR FOLDABLE IRONING BOARDS

Filed April 26, 1937

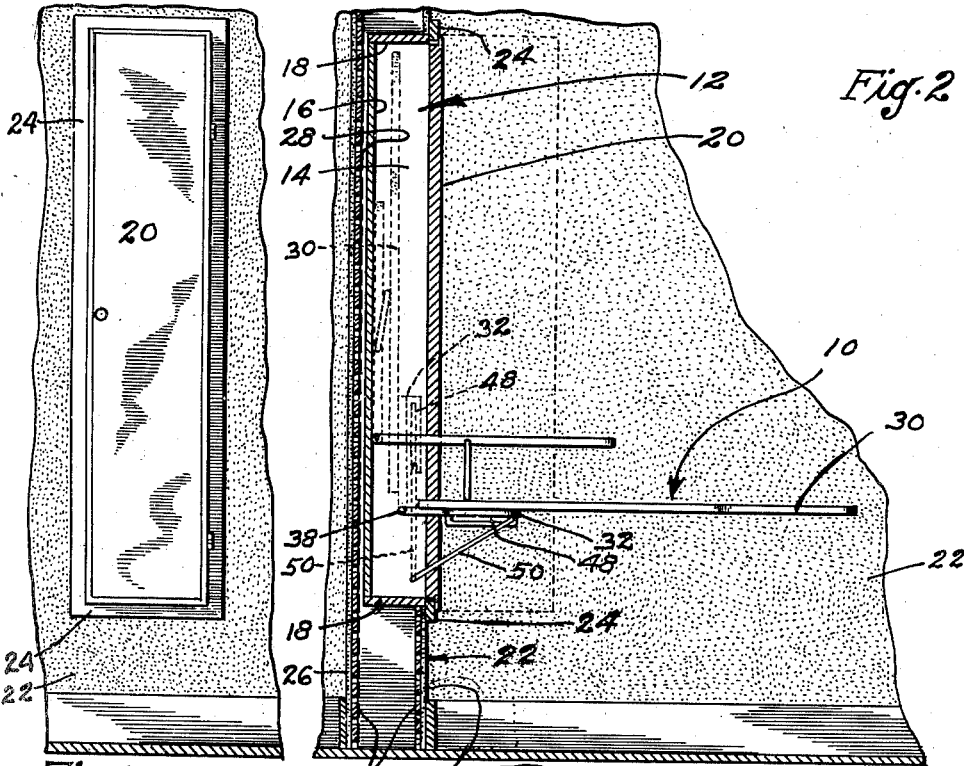


Fig. 2

Fig. 1

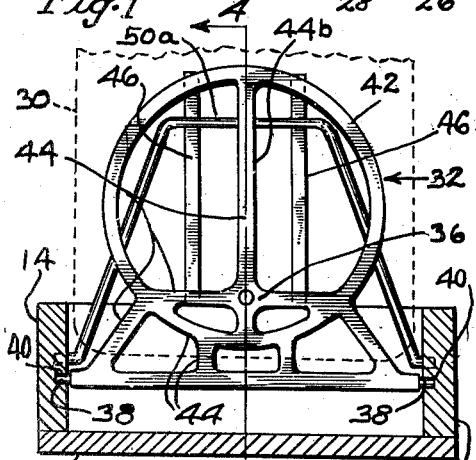


Fig. 3

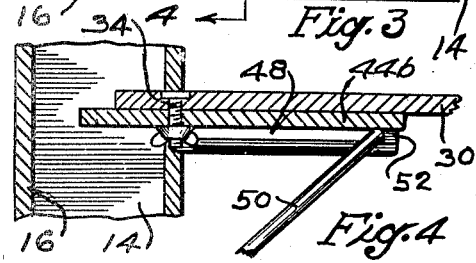


Fig. 4

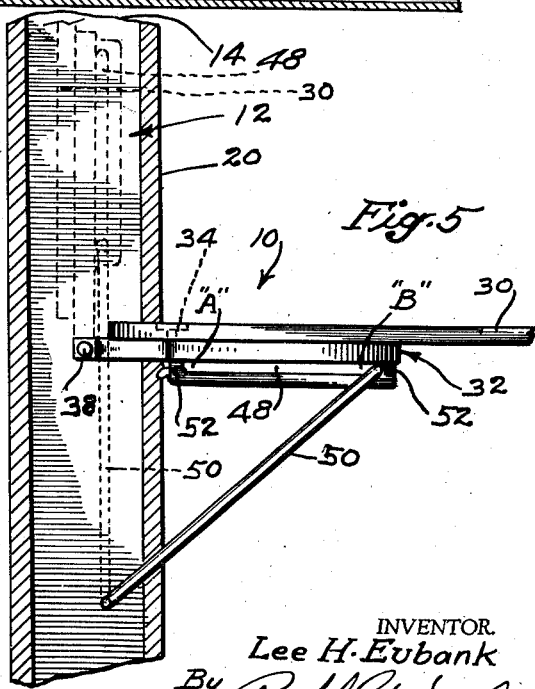


Fig. 5

INVENTOR.  
 Lee H. Eubank  
 By *Robert Woodsey*  
 ATTORNEY.

# UNITED STATES PATENT OFFICE

2,174,363

## SUPPORT FOR FOLDABLE IRONING BOARDS

Lee H. Eubank, Inglewood, Calif.

Application April 26, 1937, Serial No. 133,905

1 Claim. (Cl. 38—128)

The device of this invention relates to foldable ironing boards of the type which are built into the wall of the room of the house which is most generally used for laundry purposes, and in addition to the general convenience and facility of an ironing board, has for its prime purpose, improved and more satisfactory and reliable means to support the ironing board either in folded or extended position.

10 In addition to the foregoing general advantages, the following objects may be distinctly pointed out.

15 (1) The elimination of all router work in the side walls of the compartment within which the ironing board is mounted.

(2) The provision of a more substantial and a firmer base support than has heretofore been extant.

20 (3) The provision of an ironing board support from which the necessity of further hand work has been removed because of its integral construction.

(4) The provision of an ironing board support that affords improved lateral stability.

25 (5) The provision of an ironing board which is simple in construction and exceedingly easy to operate.

30 (6) The provision of an improved ironing board which is of lower cost than has heretofore been possible because of elimination of certain of the above referred to labor and/or machine operations.

35 Other objects, features and advantages of the invention may be apparent from the accompanying drawing, the specification and the appended claim.

In the drawing of which there is one sheet:

40 Figure 1 is a front elevation the compartment within which the device of this invention is housed showing compactness and neatness of exterior finish.

45 Figure 2 is a sectional elevation of the compartment and showing the ironing board in extended or operative position. Dotted lines show the position of the ironing board when folded or in inoperative position.

Figure 3 is a plan view of the metal support of the ironing board.

50 Figure 4 is a sectional elevation taken on line 4—4, of Figure 3 showing construction.

4 Figure 5 is an enlarged side-elevation of the ironing board support, showing the same in extended position.

55 Reference to the drawing will show that the device 10 of this invention is adapted to be housed

within a compartment 12 which is built in the nature of a rectangular box having side walls 14, a back 16 and end pieces 18. A hinged door 20 completes the construction of the compartment within which the ironing board is housed. As will be evident from the drawing in Figures 1 and 2, a portion of the wall 22 is removed to receive the box, while a finishing strip 24 serves to cover the broken or roughened edges of the plaster 26 which is supported upon lath 28 in the usual manner.

The ironing board which is indicated in general by the reference character 10, specifically includes a board 30 which is mounted upon an ironing board support 32 by means of a conventional bolt and wing-nut 34 which may be loosened to swing the board 30 through horizontal positions for lateral adjustment. The bolt is ordinarily counter-sunk in the board 30 and extends through a rib 36 in the ironing board support 32.

The ironing board support 32 while shown in plan, as being of circular form, may be of any convenient or practical shape to meet the physical requirements of the compartment within which it is pivotally mounted by means of trunnions 38 which are adapted to be journaled within apertures 40 bored within the side-walls 14 of the box or compartment 12.

As above stated the ironing board support 32 may be given a practical form, but is here shown with a circular member 42, all top surfaces of which are in the same plane, and which is structurally strengthened by means of ribs 44 and 46. The ribs 44 are also in the same plane as the circular member 42, while ribs 46 are formed pendant to the circular member 42 as shown in Figures 2-5, for the purpose of providing a slot-way 48 within which a hinged brace 50 may adjustably move to conform with the angular position of the board 30. The slot-way 48 is of sufficient depth to permit the brace 50 to move therethrough without binding or needless chatter, and is limited by means of the dependencies 52 which fasten the ribs 46 to the circular member 42. The brace 50 is pivoted in the side walls 14 as shown in Figures 2, 3, and 5, and is adapted to travel back and forth through the slot-way 48 where it is confined between the ribs 44 and 46, so that when in horizontal position the weight of the board bears upon the central rib 44b of which there may be one or more.

The procedure followed to place the device of this invention in operation is believed to be self

explanatory, for it is only necessary that the door 20 be swung open, and that the board 30 be pulled forwardly to horizontal position, in which position it is used for the purpose at hand.

5 When the board is pulled outwardly from its compartment, the ironing board support 32 swings upon the trunnions in aperture 40, and the brace 50 swings about its pivot point in the walls 14, from the position shown in dotted lines, 10 see Figures 2 and 5, to the position shown in full lines, during which interval the transverse member 50a travels from the end A to the end B of the slot-way 48, coming to rest against the dependency adjacent the end B which supports the 15 brace in an upwardly extending angular position as shown, to support the ironing board.

From the foregoing description it will be readily apparent that I have provided a convenient, practical, rugged, and low cost ironing 20 board and support for the same.

It is obvious that various changes and modifications and variations may be made in practicing the invention in departure from the particular showing of the drawing and description, as given, without, however, departing from the true

spirit of the invention as defined by the scope of the appended claim.

I claim:

In a folding ironing table assembly, a cabinet having an open front, a supporting plate pivotally mounted on a fixed horizontal axis within the cabinet rearwardly of said front and having its major portion extending therefrom when in horizontal position, an ironing board having its butt end mounted upon said plate on a vertical axis by a pivot connecting the board and supporting plate, said pivot terminating below said plate and mounted substantially in the plane of the front face of the cabinet when the plate is in horizontal position, means depending from the supporting plate and forming therewith a guide-way, said guide-way extending from a point outwardly of and adjacent the pivot toward the outer edge of said plate, and a brace for the plate pivotally mounted in the cabinet on a fixed horizontal axis with its outer end in the guide-way whereby it may slide uninterruptedly along the same during swinging movement of the plate. 5 10 15 20

LEE H. EUBANK.